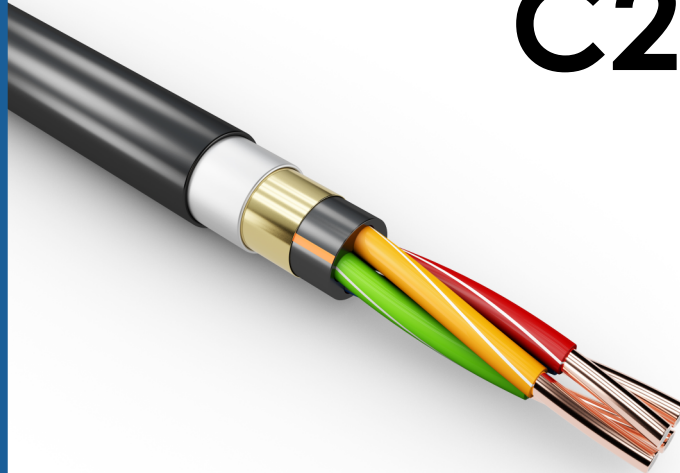




GENVOLT

Multi Conductor Cable

C2111



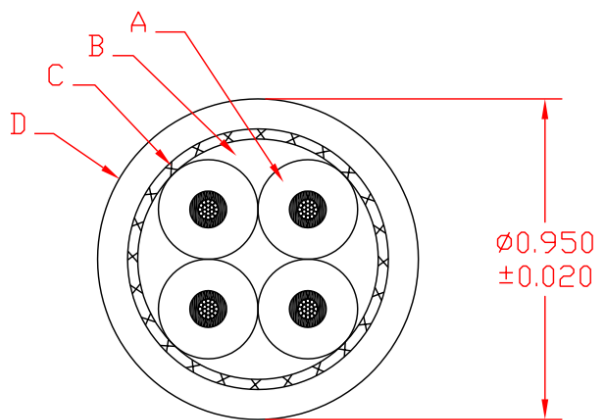
High Voltage
Multi Conductor Cable



C2111

50kV_{DC} / 15kV_{AC} / SILICONE DIELECTRIC / 4 CONDUCTOR SHIELDED

CONSTRUCTION



KEY

- A. 4 X (19/#29 AWG) SILVER PLATED COPPER TO $\varnothing 0.058$
SEMICON SILICONE TO $\varnothing 0.109 \pm 0.010$
SILICONE RUBBER TO $\varnothing 0.295 \pm 0.015$
- B. FILLER
- C. SHIELD, #34 TC, 80% COVERAGE
- D. JACKET, BLACK NEOPRENE TO $\varnothing 0.950 \pm 0.020$

TECHNICAL INFORMATION

Voltage kV (DC)		50	Voltage kV (AC)		15
Number of Conductors		4	Outside Diameter	Inches	0.950
				cm	2.413
AWG		#16	Impedance		ohms 44
Strands		19/29 SPC	Capacitance		pF/ft 50
Insulation		Silicone	Min Bend Radius		Inches 4.00
Semicon Diameter		0.100" / 0.25cm			cm 10.16
Dielectric Insulation		Material	Silicone	Min Ambient Temp	
		Diameter (in)	0.295		
		Diameter (cm)	0.750	°C	-51
Shield		Construction	#34 TC Braid	Max Conductor Temp	
		AWG Equiv	#12	°F	250
		Coverage %	80%	°C	121
		Semicon	ink	Weight	
Jacket Material		lb/ft	0.140		
				kG/m	0.209

GLOBAL PRESENCE



UK Office:

Genvolt, New Road, Bridgnorth, Shropshire, WV16 6NN, United Kingdom

Tel: +44 (0) 1746 862 555

Email: info@genvolt.co.uk Website: www.genvolt.com

India Office:

Genvolt India Private Limited

806, Suratwala Mark Plazzo, Hinjewadi Village, Hinjewadi, Pune, Maharashtra - 411057, India

Email: supportindia@genvolt.co.uk Website: www.genvolt.in

Research and Development:

Genvolt Ltd

New road, Bridgnorth, Shropshire, WV16 6NN

Factories:

Genvolt Ltd

New road, Bridgnorth, Shropshire, WV16 6NN

Boher High Voltage Power Supplies Ltd (Genvolt China)

No. 79 Yandangshan Road, Suyu District, Suqian City, Jiangsu, China